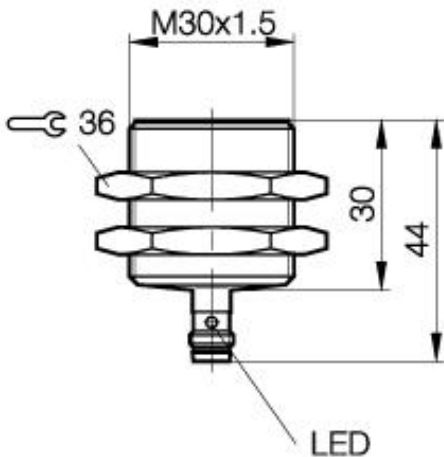


**Inductive Sensors**  
**BES 516-327-G-E5-Y-S 49**  
**M30x1.5 x 44**  
**normally-open**  
**Sn=15mm**  
**shielded**



PX0054a

**Common Data**

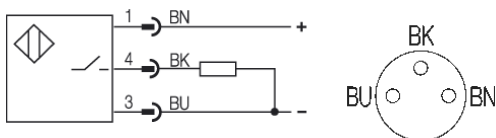
Mounting in steel	shielded
Rated operating distance Sn	15mm
Assured operating distance Sa	0...12.0mm
Repeatability R	≤ 5%
Hysteresis	≤ 15%
Function indication	yes
Ambient temperature range	-25...+70°C
Polution Degree	3
Time delay before availability	≤ 10ms

**Mechanical Data**

Measurements BxHxT or DxT	M30x1.5 x 44mm
Housing material	Nickel plated brass
Material of sensing face	PA 12
Degree of protection	IP67IP
Connection	Connector S49 (M8 3-pin)
Shock: Halfsinus, 30 gn, 11ms	
Vibration: 55 Hz, 1mm Amplitude, 3 x 30 Minutes	

**Electrical Data**

Current type	DC
Wiring	3-Wire
switching function	normally-open
Output signal	PNP
Rated operational voltage	24 DCV
Rated operational current	130mA
Supply voltage	10...30 DCV
Ripple	≤ 15%
max. switching frequency	100Hz
No-load supply current	≤ 25/≤ 12mA
Off-state current	≤ 80µA
Voltage drop	≤ 3.5/-V
Short circuit protection	yes
Protected against polarity reversal	yes



**Remarks**

Mounting Instructions 825357



Utilization categories  
 Insulation class

DC 13

Datasheet number:

Definitions see general catalog.  
 If not otherwise noted, ratings according to  
 IEC 60947-5-2 (DIN EN60947-5-2)

Balluff GmbH  
 Schurwaldstrasse 9  
 73765 Neuhausen a.d.F.  
 Phone (07158) 173-0 Fax (07158) 5010

Datenblatt by CD-ROM - 04/2007

**BALLUFF**  
 sensors worldwide